

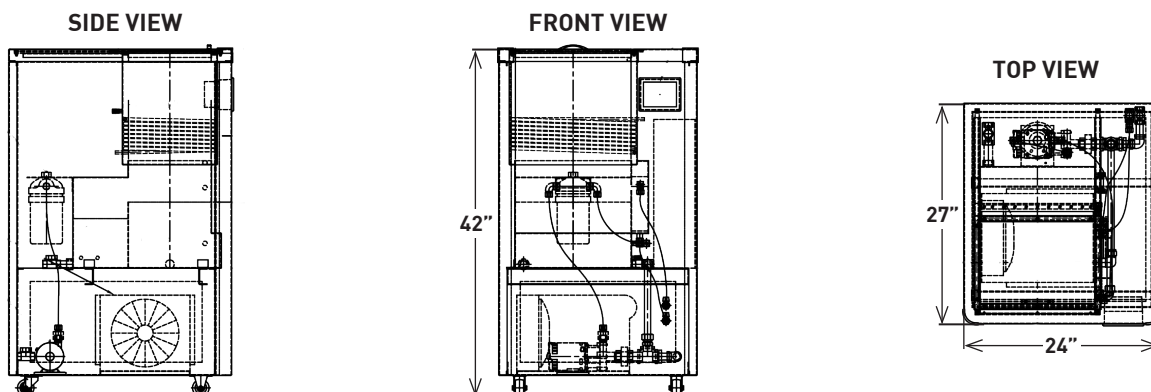
WASH-1 DEBINDER SPECIFICATIONS

The first step in transforming a printed “green” part into fully dense metal is debinding. The Wash-1 immerses the green part in a specialized fluid which removes the primary binding material, leaving the part semi-porous so the remaining binder can easily burn off during sintering. This debinding step purifies the final metal part and helps keep your sintering furnace clean.

| | | |
|----------------------------------|----------------------------|--|
| DEBINDER PROPERTIES | Materials Supported | All Metals |
| | Fluid | Opteon Sion |
| | Controller | Integrated Control System |
| | Workholding | Stainless Steel Basket |
| | Washing Size | 356 mm x 254 mm x 203 mm (14" x 10" x 8") |
| | Washing Volume | 18,356 cubic cm (1120 cubic in) |
| SAFETY & INSTALLATION | Environmental Req. | External Exhaust |
| | Safety Control | Low Fluid Shutoff Control High Vapor Pressure Shutoff Control |
| | Regulatory | Refer to MSDS |
| | Emissions | Low Emission Design to Conserve Solvent |
| | Power | 120/240 VAC Single Phase |
| PHYSICAL DIMENSIONS | External Dimensions | 609 mm x 685 mm x 1067 mm (24" x 27" x 42") |
| | Weight | 136 kg (300 lbs) |

MACHINE COST

\$9,990



All specifications approximate and subject to change without notice.